

* RoHS COMPLIANT *

* REVISIONS

LTR	DESCRIPTION	DATE	REVISED	APPROVED

NOTE:

1.MATERIAL:

INSULATOR:LCP, UL94V-0

CONTACTS:C5191-H

SHELL:SUS304

2.FINISH:

SHELL:100μ" MIN.TIN PLATE OVER 50μ" NICKEL

CONTACTS:1~30μ" MIN.GOLD ON MATING AREA.

100μ" MIN.TIN ON THE TAILS.

3.ELECTRICAL CHARACTERISTICS;

3.1 CONTACT RESISTANCE:30mΩ MAX

3.2 CONTACT CURRENT RATING:1.5A MAX

3.3 DIELECTRIC WITHSTANDING VOLTAGE: 100 V R.M.S.

3.4 INSULATION RESISTANCE 100 MΩ MIN

3.5 OPERATING TEMPERATURE:-20°C ~ 60°C

4.MECHANICAL CHARACTERISTICS:

4.1 MATING FORCE:3.5kgf MAX

4.2 UNMATING FORCE:1.0kgf MIN

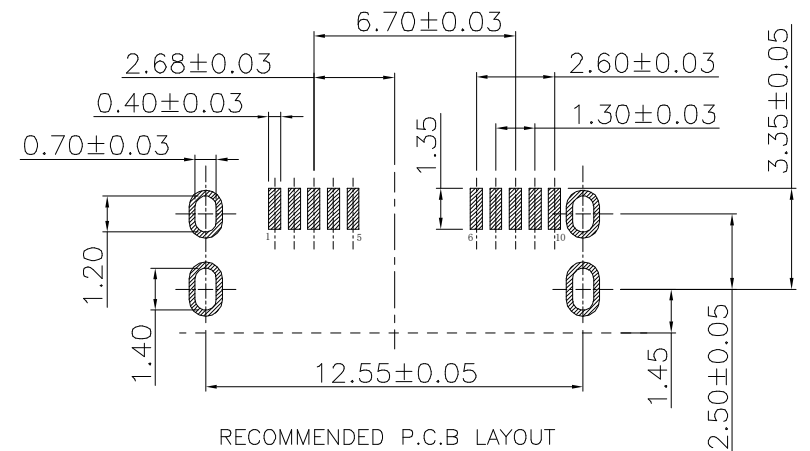
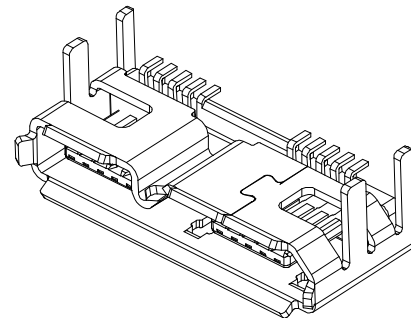
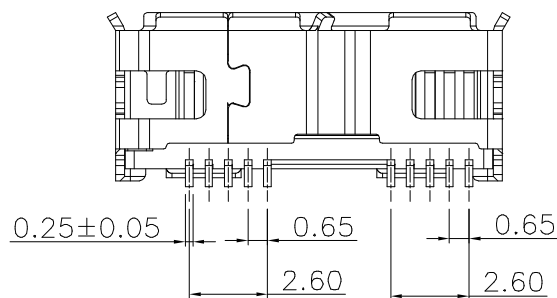
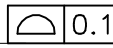
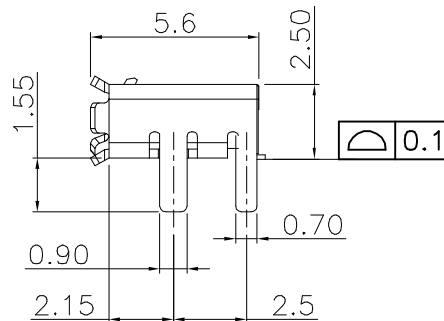
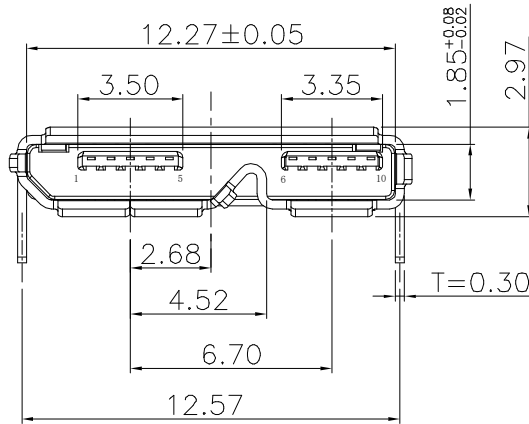
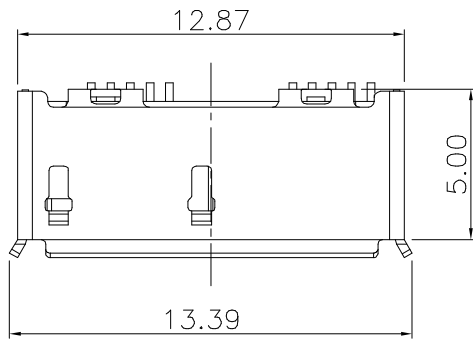
4.3 DURABILITY:10,000 CYCLES

JCU-21W35-10F-01-X

塑膠顏色

1:BLACK

2:BLUE



RECOMMENDED P.C.B LAYOUT

UNLESS OTHERWISE SPECIFIED, TOLERANCE ON DECIMAL: ±0.3

DWN	LILY	DATE	2021.08.27	3RD ANGLE PROJECTION	NAME	MICRO3.0 BF四脚插板
CHKD	ANDY	DATE	2021.08.27		CAT. NO.	JCU-21W35-10F-01-X
APVD	JON	DATE	2021.08.27	UNIT: mm	DWN.NO.	CZ-21W35-10F-01
JKCR Electronics Co., Ltd.						001